

AQUATEL™ WIRELESS FLUID LEVEL TECHNOLOGIES

Wireless Fluid Level Controller

MODEL: M107-BT



A COMPLETE WIRELESS CONTROL SYSTEM FOR MAINTAINING THE FLUID LEVEL IN YOUR TANK

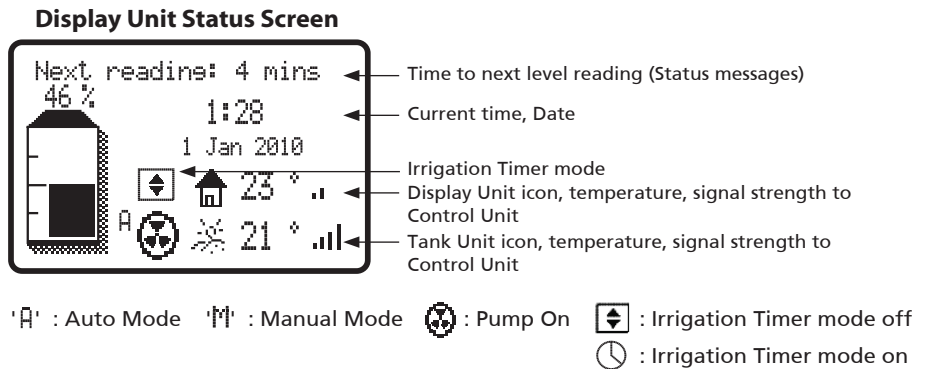
- * fail safe pump shutdown with loss of signal
- * wireless, no need for control wires or trenching
- * sensor cone technology requires no contact with fluid being measured
- * simple setup menu
- * adjust and set both high and low level alarms via remote display
- * use to measure almost any fluid type (providing fluid does not give off explosive vapor)
- * up to 3 year battery life or 100,000 level updates
- * 600m (2000') wireless radio range out of box
- * long range antennas available that offer up to 10km (6mile) wireless radio range
- * approved radio that requires no license
- * for use on above and below ground tanks

How it works

The Tank Unit is mounted on the top surface of the tank and uses ultrasonic signals to detect the fluid level inside. This is then wirelessly transmitted through the Control Unit and onto the Display Unit. The Display Unit displays the fluid level and system status on the LCD screen. The Display Unit is also used for setting the system settings such as level thresholds. This is sent back to the Control Unit to switch the pump or valve on and off depending on the tank level.

Features

- comes with 1m power lead with plug and socket for quick and easy installation
- can be used to switch a pump, a solenoid, or any other device
- unit can be setup to fill tank (from a bore), or drain the tank (for septic or transfer applications)
- has low battery warnings, displays temperature of units and even a rapid water loss alarm
- Long range antenna available (up to 10km (6mile) line of sight) See Booster Antenna: AQ920-7 (not included in standard kit)



Display Unit

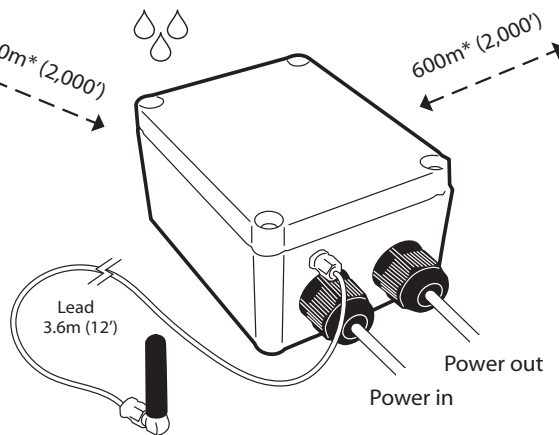
- 4 x AA Alkaline batteries (required)
- 92W x 73D x 50H (3.62"W x 2.87"D x 1.96"H)
- ¼ Wave Whip Antenna

- Temperature range: -10 to +60°C (14 to 140°F)
- Individually Security coded sets
- Approval : AS/NZS 4268:2003 1:2005 **CE FC**
- Housing : ABS Plastic

* Range shown is line of sight. Objects between units will reduce range. Long range antenna available offering up to 10km (6mile) line of sight range

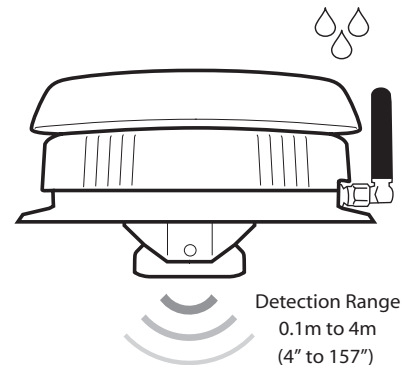
External Power Jack
6V DC

600m* (2,000')



Control Unit

- Maximum switchable load 15A
- 90W x 120D x 65H (3.54"W x 4.72"D x 2.56"H)
- ¼ Wave Whip Antenna
- Available in 12vdc, 24vac, 115vac & 230vac



Tank Unit

- Use on any non-flammable fluid (water, diesel, septic)
- 4 x AA Alkaline batteries required
- Ø135 x 80H (Ø5.31" x 3.15"H)
- ¼ Wave Whip Antenna